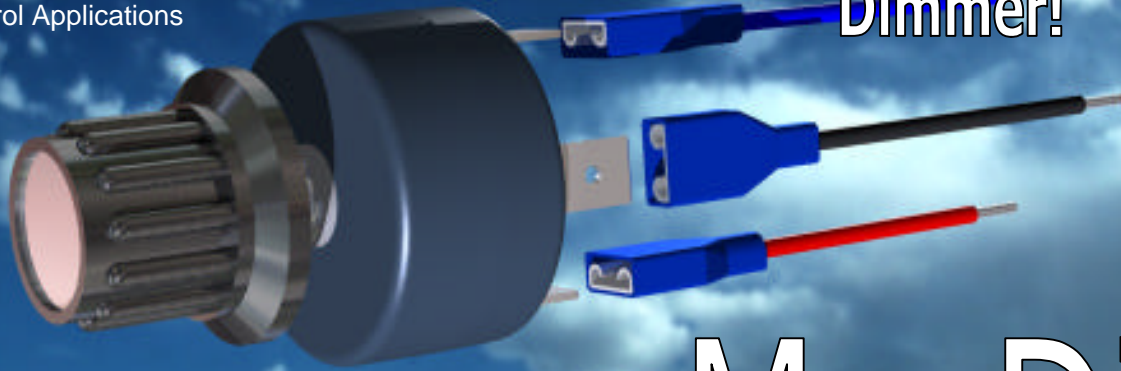


- Aircraft Cabin Lighting
- Incandescent & LED
- Instrument Panels
- Hundreds of DC Lighting Control Applications

The Complete Compact, Light Weight, Powerful, Solid State Dimmer!



MaxDim

12-35 VDC 0-12.5 A
Control 350 Watts In a
1-1/4 INCH DIA PACKAGE



—SPECIFICATIONS—

Voltage Range: 12 to 35VDC
Max Current: 12.5 A
Controlled Output: 0 to 12/35 VDC 0 to 12.5A
Capacity:

- 150 Watts @ 12 VDC
- 288 Watts @ 24 VDC
- 350 Watts @ 28 VDC

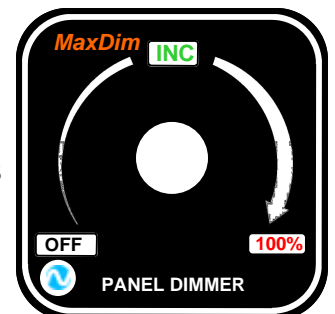
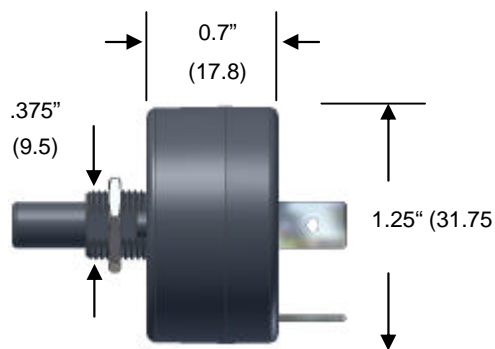
Install with Standard Supplied Solderless Crimp Connectors

Recommended Wiring Spec:
Temperature: -65° C to 200° C
Specifications: MIL-W-16878E/4 Type E
Conductor: Silver-plated copper

Potentiometer Rotation: 270 Deg,
Rotational Life: 500KTurns

Operating Temperature range: -20°C to +50°C
Internal Temperature Protect: +85 °C
Storage Temperature: -40°C to +100°C
Maximum Internal Temperature: @12.5A
 +15 °C above Ambient.
Enclosure Material: Bayer FR 110 Resin
 Meets UL 94 Flame Rating: V-2 (0.03in) V-0 (0.059in) 5VB (0.098in) 5VA (0.13in)

Order: MaxDim P/N 9100-000-A
 FAA STC SA01800SE



Weight: 0.58 oz (16.6g)



Seaton Engineering Corp.
 Spokane Valley, WA 99016
 509.928.0633